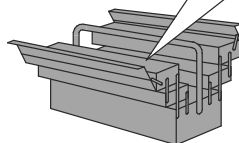
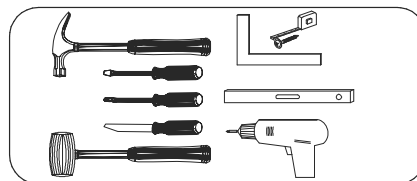
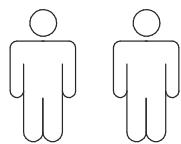
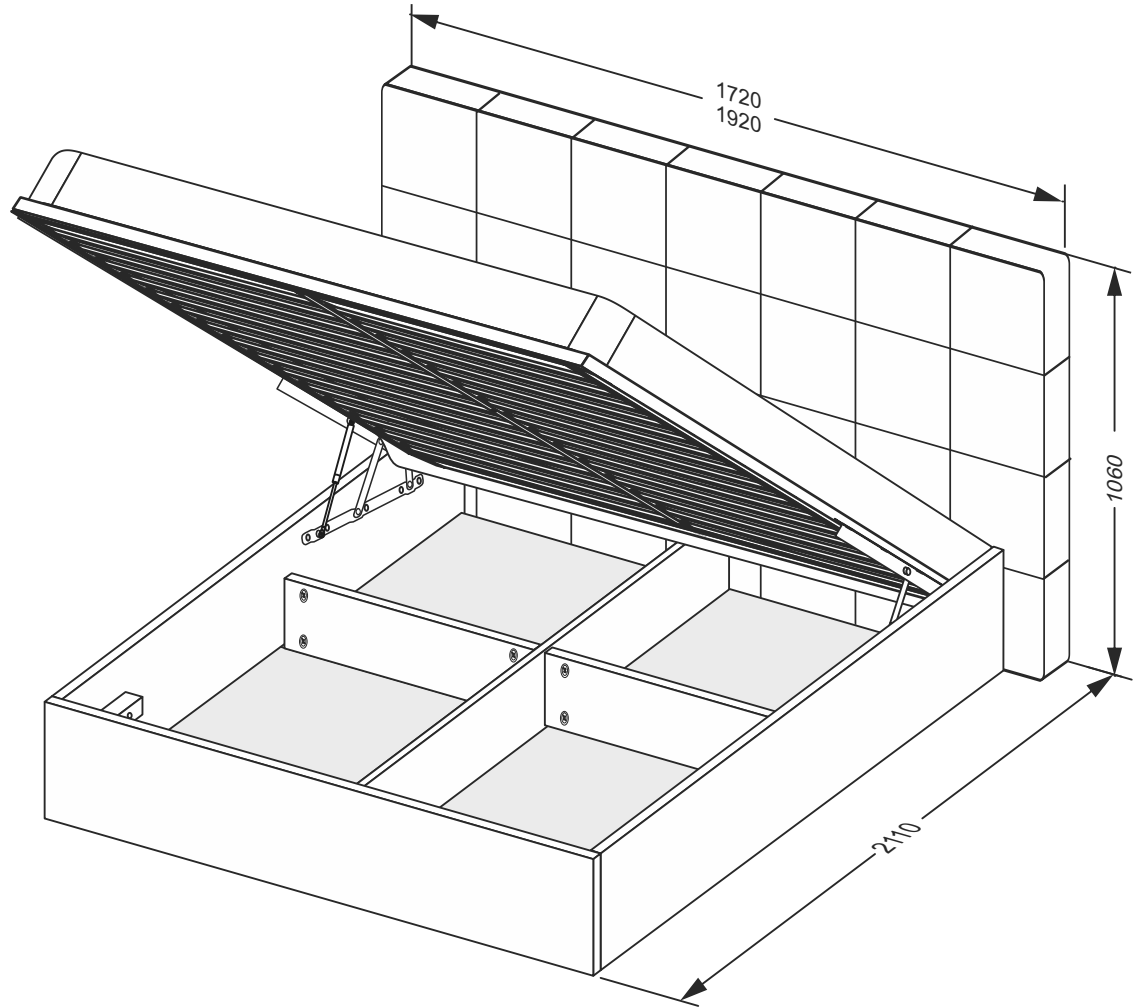
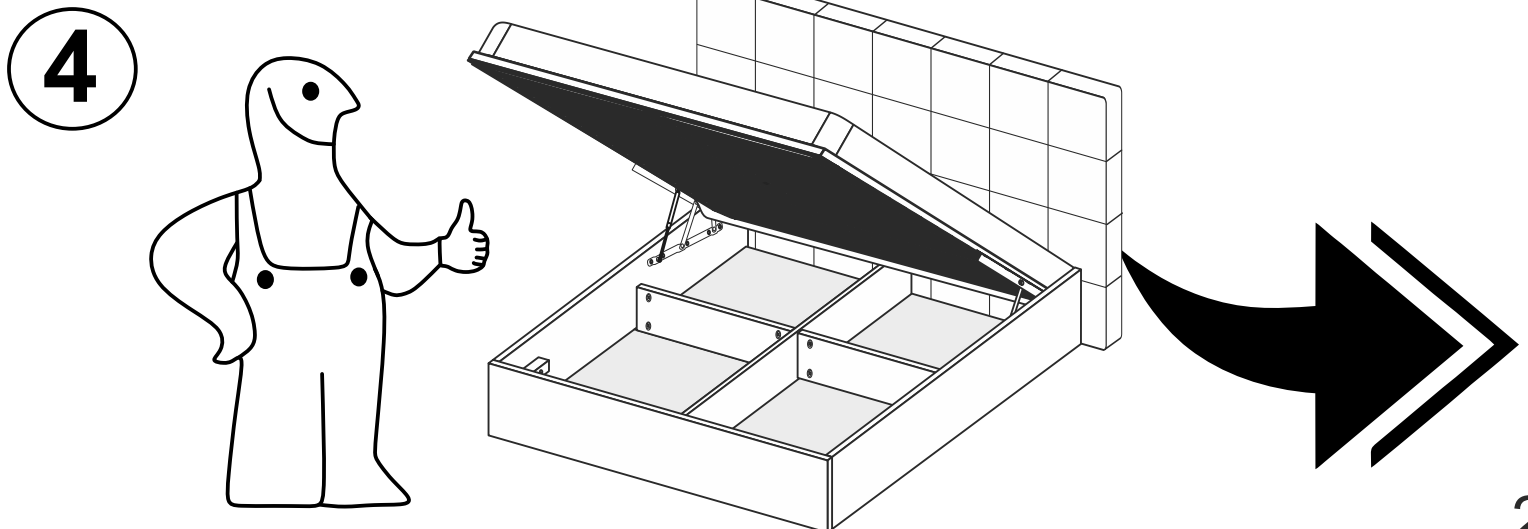
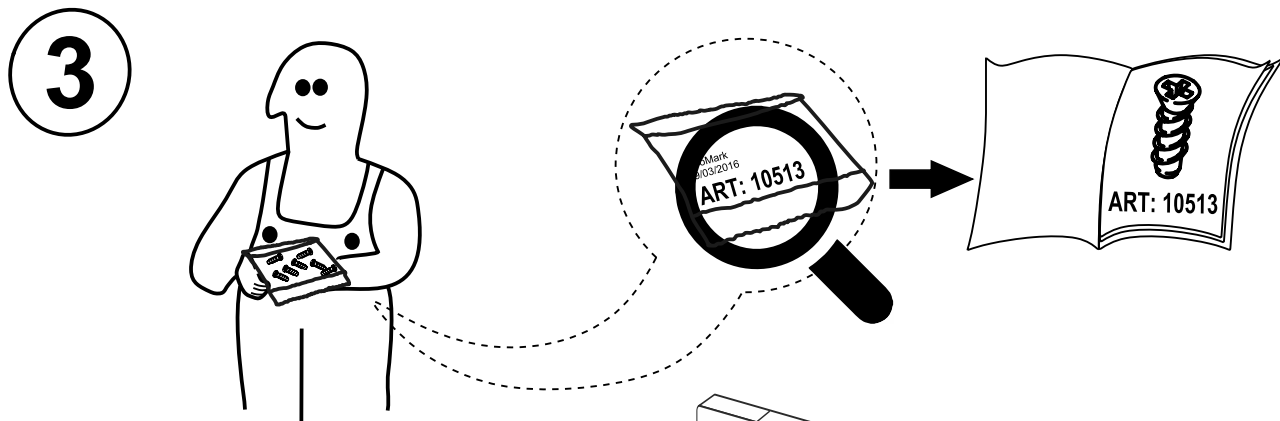
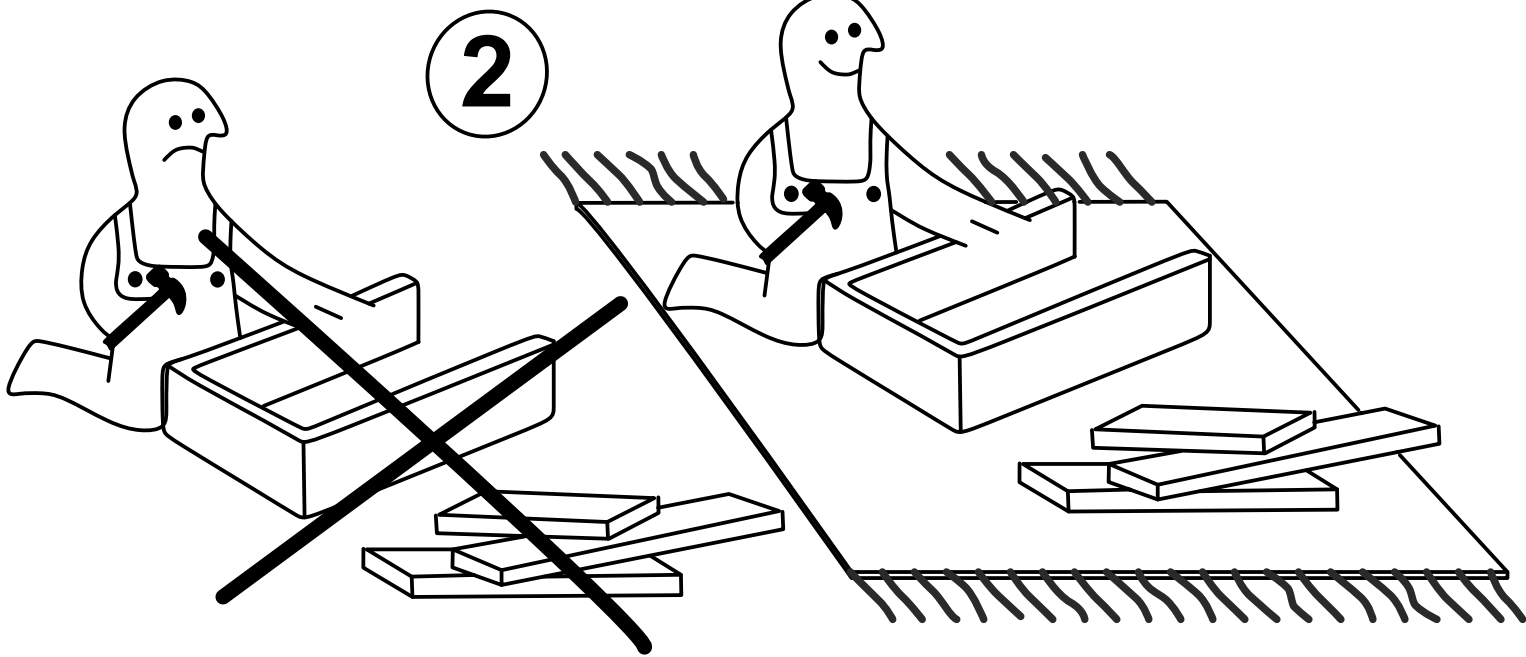
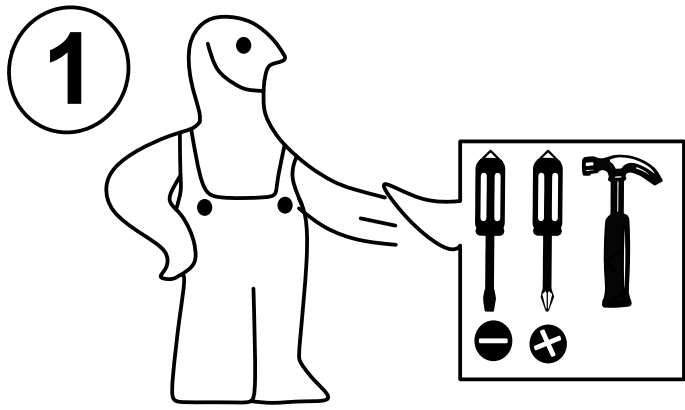
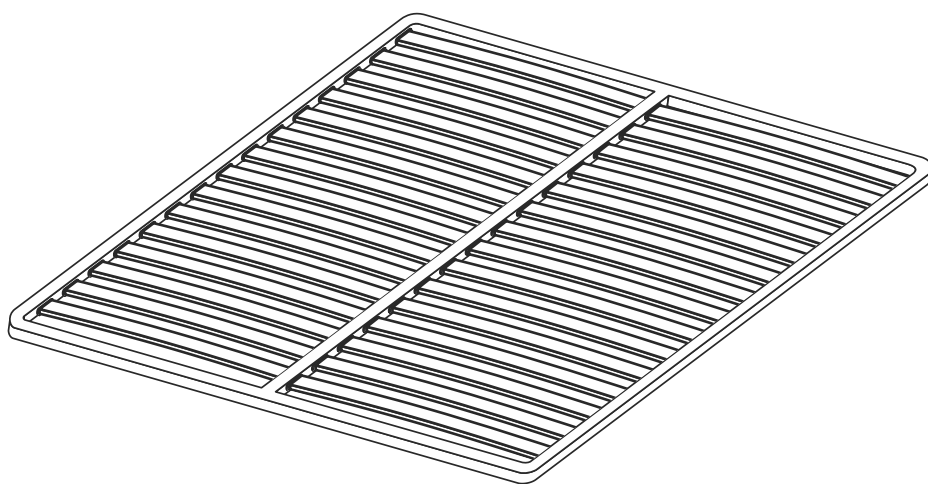
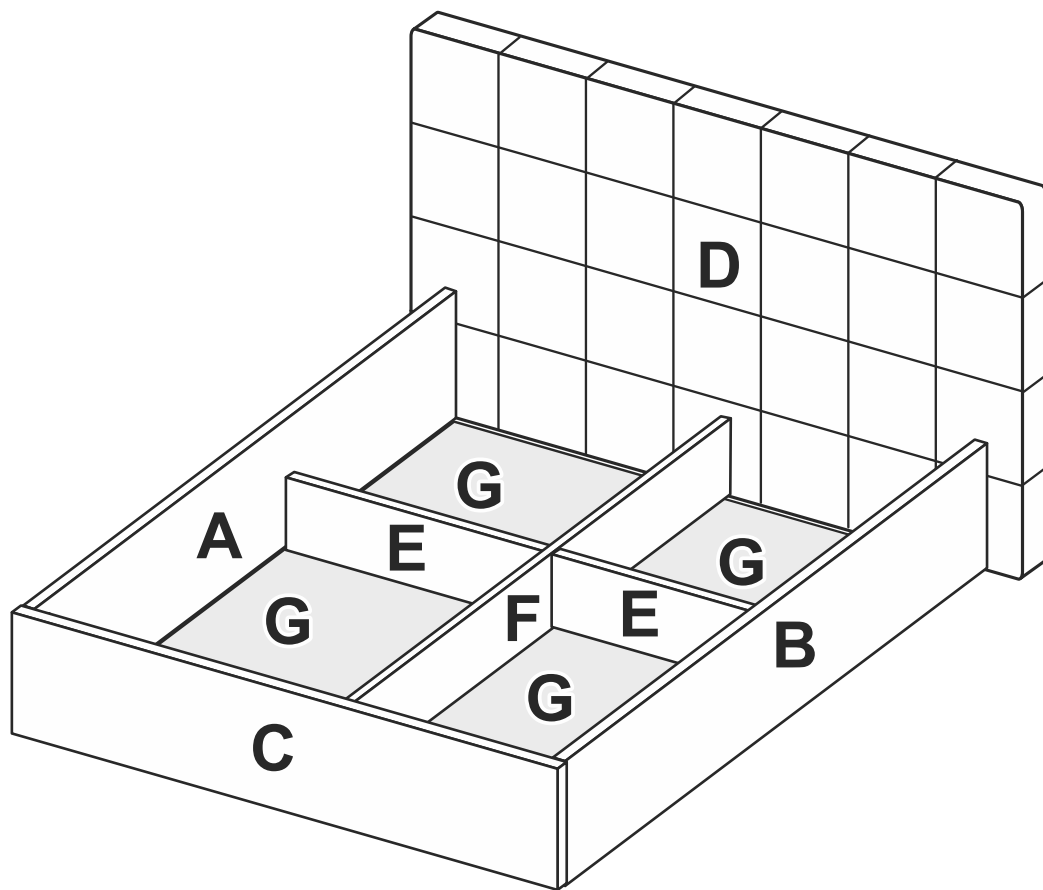


BIANCO BI-46-WB







A	-	2020 x 345 x18	-	x 1
B	-	2020 x 345 x18	-	x 1
C	-	1654 x 345 x18	-	x 1
D	-	1720 x1060x80	-	x 1
E	-	799 x 230 x18	-	x 2
F	-	2020 x 230 x18	-	x 1
G	-	998 x 796 x 3	-	x 4

